



Automatic Access Control for Vehicles

*Access applications
Access applications for company premises
Parking applications
Toll applications*

Toll applications

Toll	The all-round barrier for toll applications
Toll Pro	The Pro model with extended functionality
Toll HighSpeed	Probably the fastest barrier in the world

Parking applications

Parking	The all-round model for parking applications
Parking Pro	The Pro model with extended functionality
Parking Select	Probably the most unique parking barrier in the world

Access applications

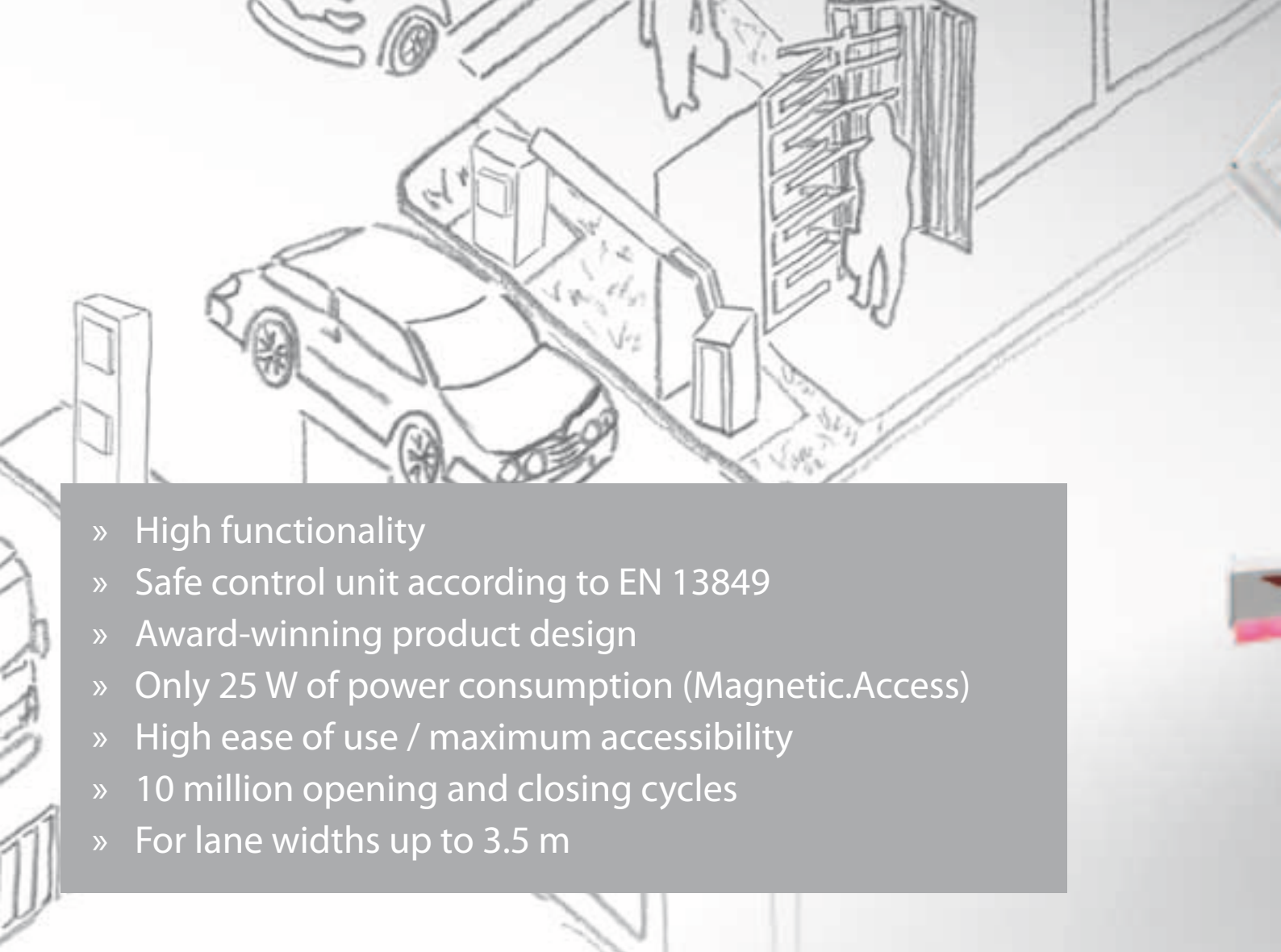
Access	The all-round access model for lane widths up to 3.5 m
Access Pro	The Pro model for lane widths up to 3.5 m
Access Select	Probably the most unique barrier for lane widths up to 3.5 m
Access-L	The all-round model for lane widths up to 5.0 m
Access Pro-L	The Pro model for lane widths up to 6.0 m
Access Select-L	The Select model for lane widths up to 6.0 m

Access applications for company premises

Access Pro-H	Access barrier for usage with a boom skirt for lane widths up to 6.0 m
Access XL 2	Access barrier for lane widths up to 8.5 m
Access XXL	Access barrier for lane widths up to 10.0 m

General overview MHTM™ MicroDrive





- » High functionality
- » Safe control unit according to EN 13849
- » Award-winning product design
- » Only 25 W of power consumption (Magnetic.Access)
- » High ease of use / maximum accessibility
- » 10 million opening and closing cycles
- » For lane widths up to 3.5 m

Magnetic.Access

The Magnetic.Access barriers are full-fledged yet cost-efficient solutions for vehicle access control to public parking space, company premises or any other application. The fast opening and closing times of 2.2 sec allow for quick passage. In addition to the award-winning design, these barriers impress due to their high functionality meeting almost all demands. They are delivered in standard colours: housing in orange, doors in anthracite.

The Magnetic.Access models are delivered as complete systems including the MGC barrier controller, an integrated 2-channel loop detector module as well as the VarioBoom.

Magnetic.Access Pro

The Magnetic.Access Pro barriers offer even faster opening times (of 1.3 sec) and are thus ideally suited for usage in applications with a high volume of traffic. Compared to Magnetic.Access barriers, the pro models offer even more functionalities, additional expandability through plug-in modules and exclusive accessories.

Magnetic.Access Pro barriers are available in three colour combinations. They are delivered as complete systems including the MGC Pro barrier controller, an integrated 2-channel loop detector module as well as the VarioBoom.



Access applications

Magnetic.Access



Magnetic.Access Select

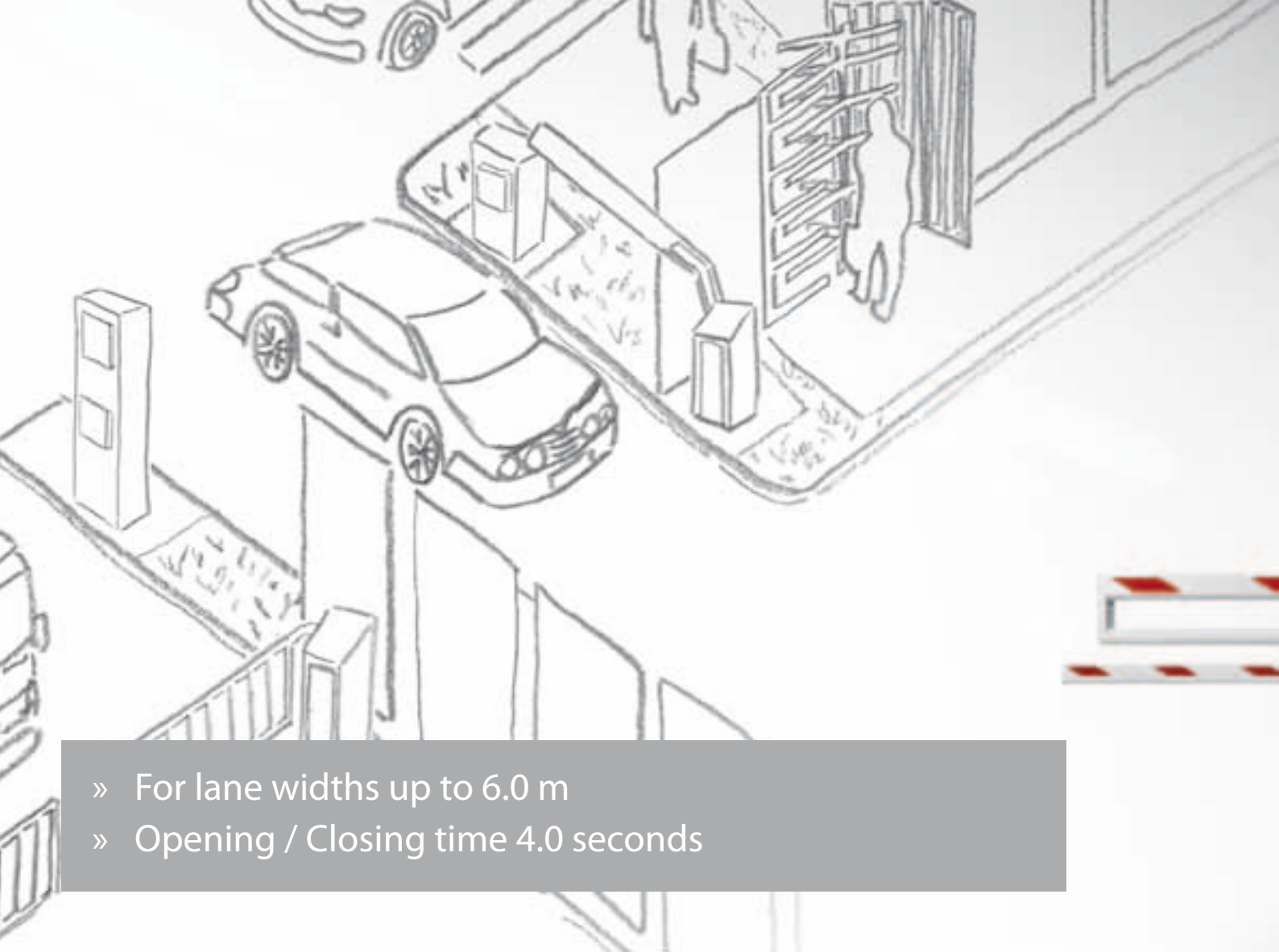
The Magnetic.Access Select barriers have the same characteristics as the Pro models while offering completely individual possibilities. We are pleased to assist you in fulfilling your special requests.

Magnetic.Access Select barriers are available in completely customizable colour combinations. They are delivered as complete systems including the MGC Pro barrier controller, an integrated 2-channel loop detector module as well as the VarioBoom.

For more information, please see the technical data on page 14.



For more information about available accessories please go to page 24.



- » For lane widths up to 6.0 m
- » Opening / Closing time 4.0 seconds

Magnetic.Access-L

Magnetic.Access-L barriers were designed for vehicle access with lane widths between 3.5 m and 5.0 m.

The Magnetic.Access-L models are delivered as complete systems including the MGC barrier controller, an integrated 2-channel loop detector module, the VarioBoom as well as a drive system adapted to the greater boom length. The barriers are available in standard colours: housing in orange, doors in anthracite.

Magnetic.Access Pro-L

Magnetic.Access Pro-L barriers are available in three colour combinations. They are delivered as complete systems including the MGC Pro barrier controller, an integrated 2-channel loop detector module as well as the VarioBoom.

Magnetic.Access Pro-L models contain the same components as the Magnetic.Access Pro barriers with a drive system adapted to the greater boom length.



Access applications

Magnetic.Access-L



Magnetic.Access Select-L

The Magnetic.Access Select-L barriers have the same characteristics as the Pro models while offering completely individual possibilities. We are pleased to assist you in fulfilling your special requests.

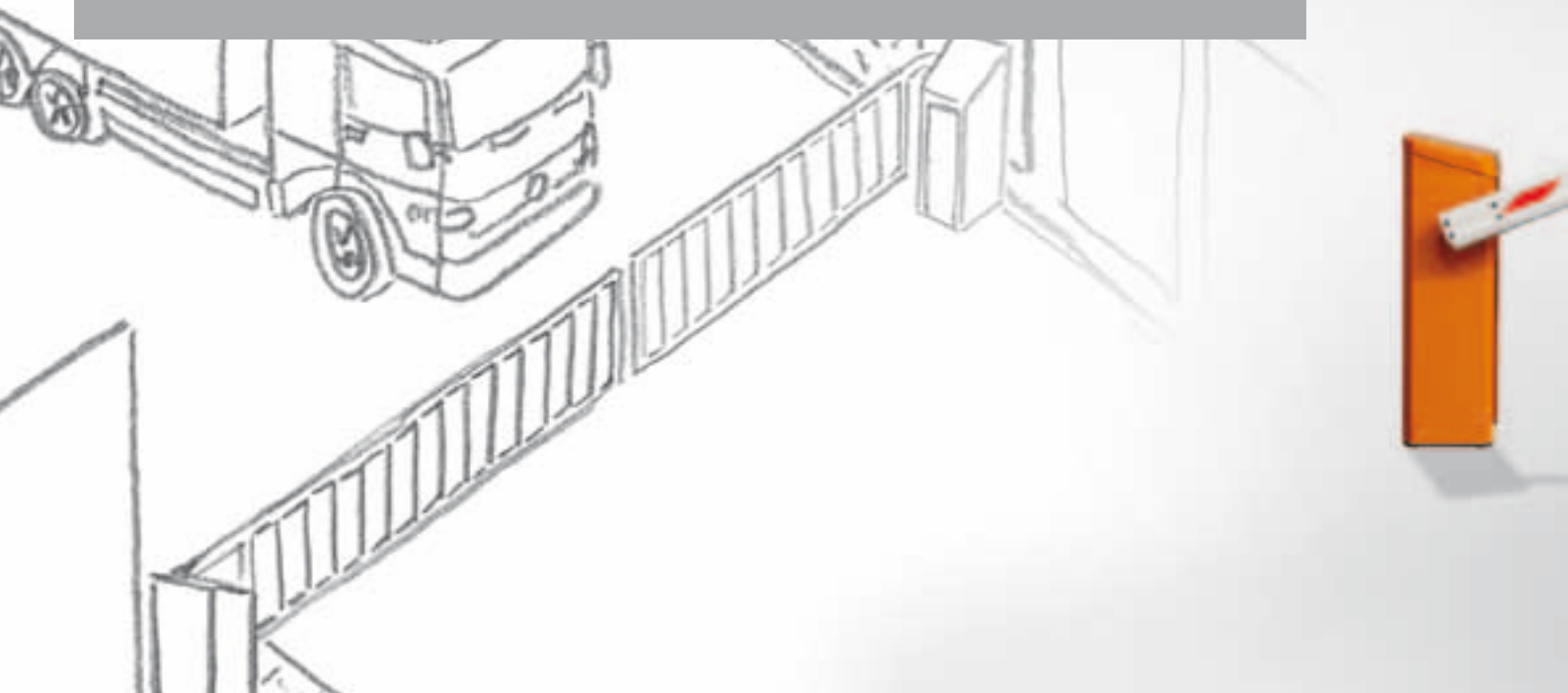
Magnetic.Access Select-L barriers are available in completely customizable colour combinations. They are delivered as a complete system including the MGC Pro barrier controller, an integrated 2-channel loop detector module, the VarioBoom plus a drive system adapted to the greater boom length.

For more information, please see the technical data on page 15.



For more information about available accessories please go to page 24.

- » For lane widths up to 10.0 m
- » Tall housing with straight barrier boom
- » Safe control unit MGC Pro according to EN 13849
- » Opening / closing times starting at 4.0 sec
- » Optional boom skirt
- » Comprehensive accessories



Magnetic.Access Pro-H

The Magnetic.Access Pro-H model is specially designed for access applications with a boom skirt. Magnetic.Access Pro-H models contain the same components as Magnetic.Access Pro-L barriers but the housing is adjusted in height and it comes with a MicroBoom (straight boom) instead of a VarioBoom.

Magnetic.Access XL 2

Magnetic.Access XL 2 barriers were developed for lane widths between 6.0 m and 8.5 m. Compared to Magnetic.Access XL barriers, this model comes with the housing of Magnetic.Access XXL barriers and thus provides maximum accessibility for the integration of additional options.

Magnetic.Access XL 2 barriers contain the complete barrier including the MGC Pro control unit, a MicroBoom XL barrier boom and an integrated 2-channel loop detector. The functionality of the barrier can be easily extended via pluggable modules (optional).



Access applications for company premises

Magnetic.Access Pro-H, XL 2, XXL



Magnetic.Access XXL

Magnetic.Access XXL barriers were designed for access applications with lane widths up to 10.0 m. The barrier comes with an inner support frame that guarantees a very high stability.

Magnetic.Access XXL barriers are delivered as complete systems including a MicroBoom XL barrier boom, a MGC Pro barrier controller and an integrated 2-channel loop detector module. The functionality of the barrier can be easily expanded via plug-in modules (optional).

For more information, please see the technical data on page 16.



For more information about available accessories please go to page 24.



- » Specifically designed for high volume parking applications
- » Opening / closing times starting at 1.3 sec
- » High functionality
- » Only 35 W of power consumption (Magnetic.Parking)
- » Safe control unit according to EN 13849
- » 10 million opening and closing cycles

Magnetic.Parking

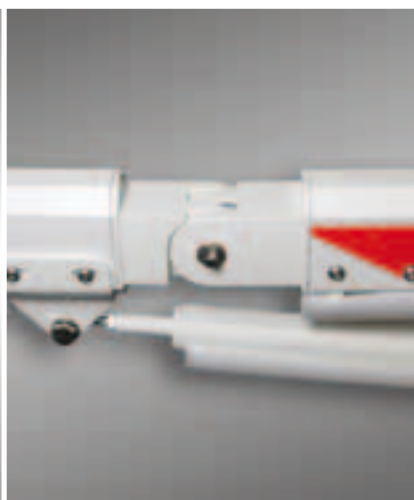
Magnetic.Parking barriers are full-fledged yet cost-efficient solutions for vehicle access control to car parks. The fast opening and closing times of 1.8 sec allow for quick passage. In addition to the award-winning design, these barriers impress due to their high functionality meeting almost all demands. They are delivered in standard colours: housing in orange, doors in anthracite.

The Magnetic.Parking models are delivered as complete systems including the MGC barrier controller, an integrated 2-channel loop detector module as well as the VarioBoom.

Magnetic.Parking Pro

The Magnetic.Parking Pro barriers offer even faster opening times (starting at 1.3 sec) and are thus ideally suited for usage in parking applications with a high volume of traffic. Compared to Magnetic.Parking barriers, the pro models offer even more functionalities, additional expandability through plug-in modules and exclusive accessories.

Magnetic.Parking Pro barriers are available in three colour combinations. They are delivered as complete systems including the MGC Pro barrier controller, an integrated 2-channel loop detector module as well as the VarioBoom.





Magnetic.Parking Select

The Magnetic.Parking Select barriers have the same characteristics as the Pro models while offering completely individual possibilities. We are pleased to assist you in fulfilling your special requests.

Magnetic.Parking Select barriers are available in completely customizable colour combinations. They are delivered as complete systems including the MGC Pro barrier controller, an integrated 2-channel loop detector module as well as the VarioBoom.

For more information, please see the technical data on page 17.



For more information about available accessories please go to page 24.

- » Designed for toll applications (toll roads, bridges, tunnels)
- » Tall housing with round boom
- » Safe control unit according to EN 13849
- » Only 55 W of power consumption (Magnetic.Toll)
- » Opening times starting at 0.6 sec
- » 10 million opening and closing cycles



Magnetic.Toll

Are you looking for a reliable yet favourably priced allround barrier that can be easily integrated into all types of toll applications? Magnetic.Toll is your first choice.

Magnetic.Toll barriers are ideally suited for usage in toll stations due to their fast opening times of 1.3 sec, high reliability and durability as well as comprehensive functionality. These models are available as a complete system including the MGC or MGC Pro barrier controller and different barrier boom solutions.

Magnetic.Toll Pro

Are you looking for a reliable barrier for highly frequented toll stations? Magnetic.Toll Pro is the right choice.

Magnetic.Toll Pro barriers offer even faster opening times compared to Magnetic.Toll models and are thus ideally suited for high traffic volumes. These models are available as a complete system including the MGC or MGC Pro barrier controller and different barrier boom solutions.





Magnetic.Toll HighSpeed

Are you looking for a toll barrier with extreme opening and closing times for highly frequented toll stations? Magnetic.Toll HighSpeed is the perfect solution.

Magnetic.Toll HighSpeed barriers offer faster opening times than the Pro models and are thus ideally suited for very high traffic volumes or applications with automatic transponder solutions. The HighSpeed models are available as complete systems including the MGC or MGC Pro barrier controller and different barrier boom solutions.

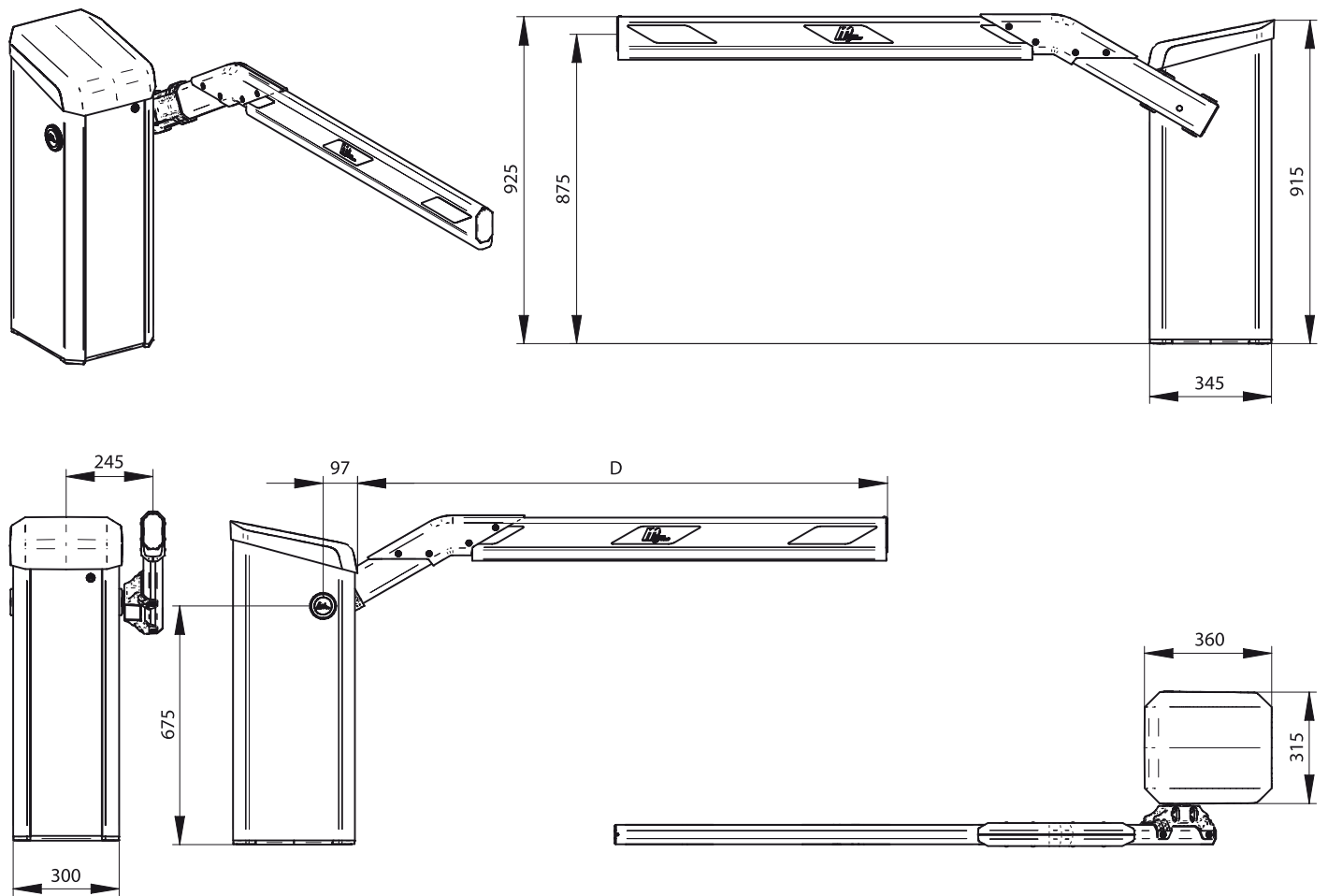
For more information, please see the technical data on page 18.

For more information about available accessories please go to page 24.

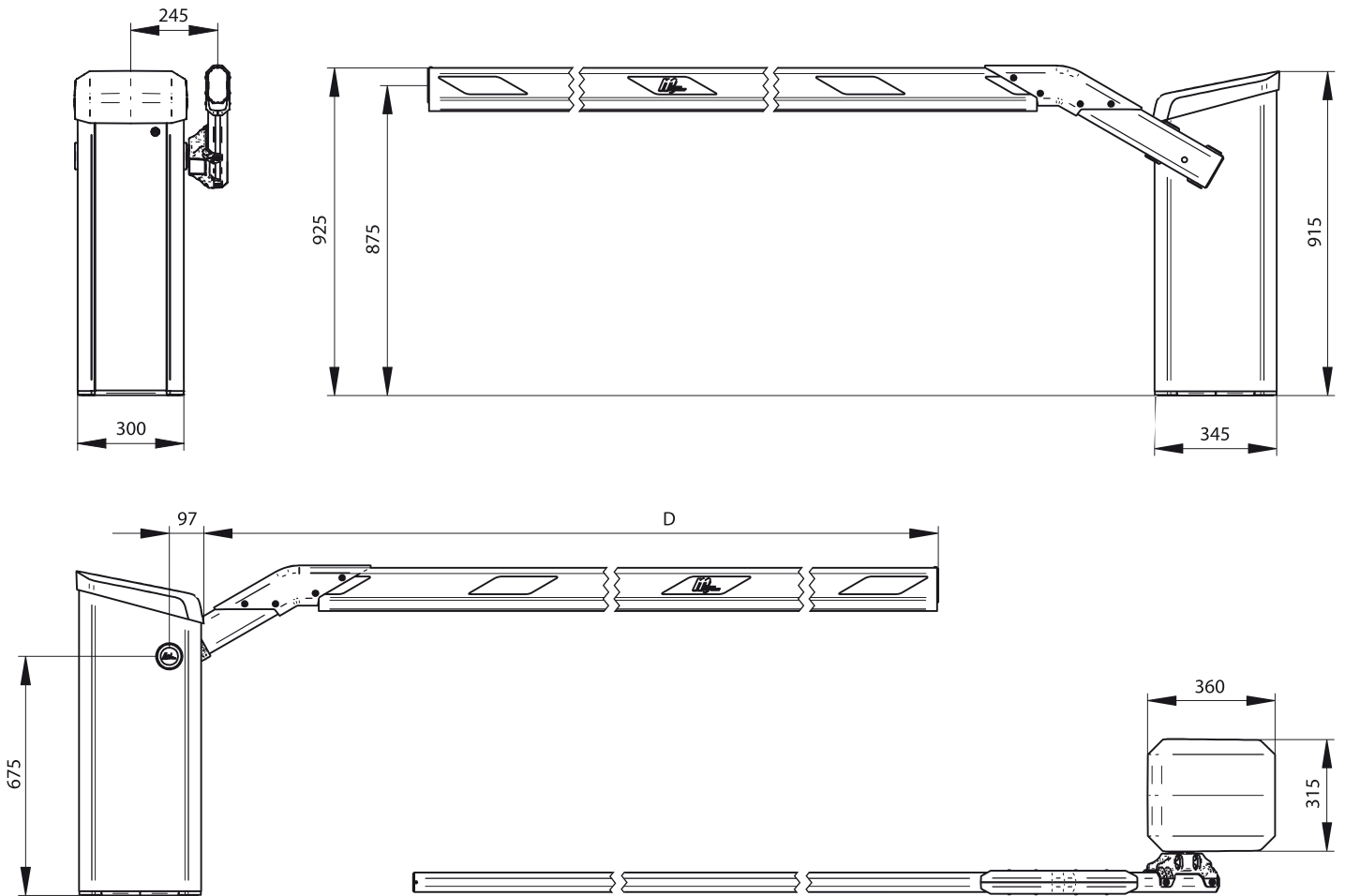


Access applications

Magnetic.Access



Technical Data	Magnetic.Access	Magnetic.Access Pro	Magnetic.Access Select
Lane width max.	3.5 m	3.5 m	3.5 m
Opening / closing time	2.2 s	1.3 s	1.3 s
Power consumption max.	25 W	95 W	95 W
Duty cycle	100%		
Supply voltage	Wide voltage range 85 - 264 V AC (also available as 24V DC version)		
Frequency	50 - 60 Hz		
Housing dimensions (WxDxH)	315 x 360 x 915 mm		
Weight (without boom)	40 kg		
Housing design	Powder-coated aluminium		
Base frame	Powder-coated stainless steel		
Protection class	IP 54		
Compliant with	2004/108/EC, 2006/42/EC, 305/2011, CE, UL 325		
Temperature range	-30 to + 55 °C		

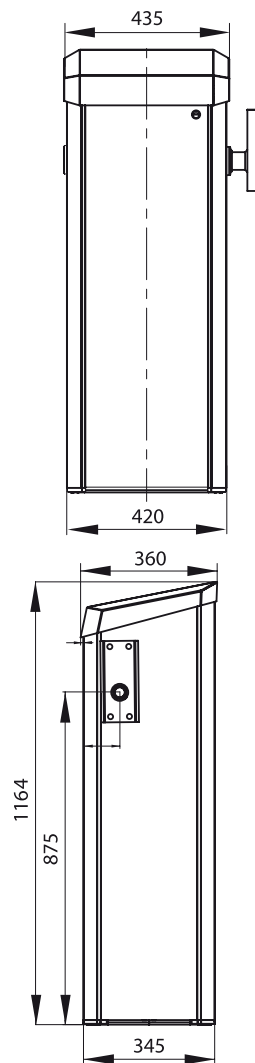
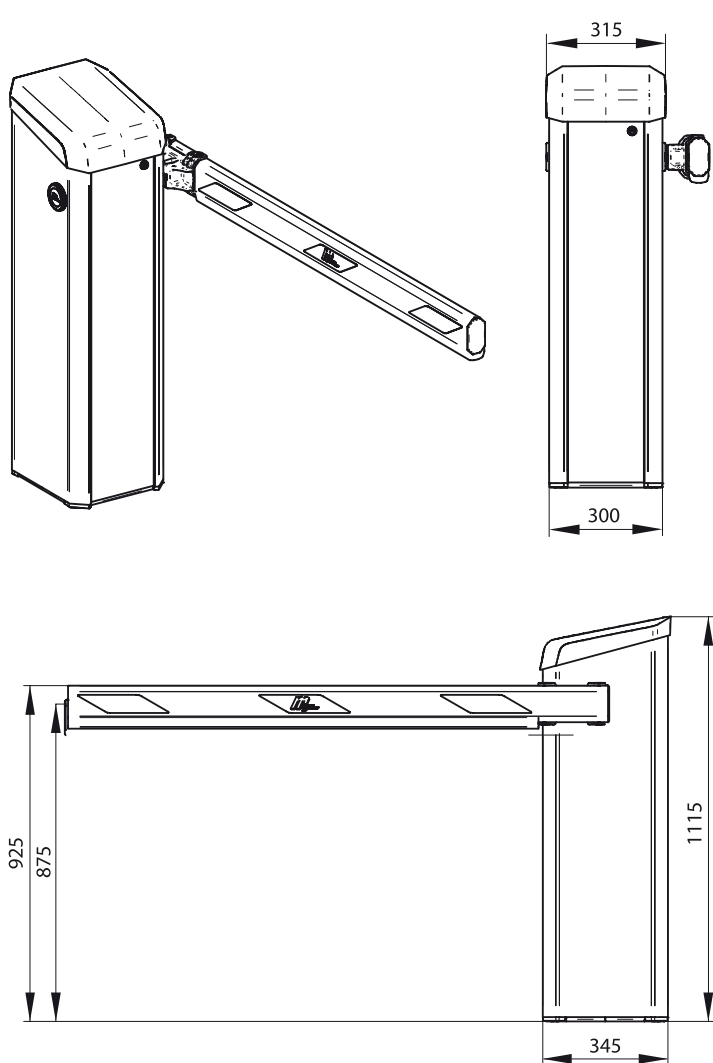


Technical Data	Magnetic.Access-L	Magnetic.Access Pro-L	Magnetic.Access Select-L
Lane width max.	5.0 m	6.0 m	6.0 m
Opening / closing time	4.0 s	4.0 s	4.0 s
Power consumption max.	30 W	25 W	25 W
Duty cycle	100%		
Supply voltage	Wide voltage range 85 - 264 V AC (also available as 24V DC version)		
Frequency	50 - 60 Hz		
Housing dimensions (WxDxH)	315 x 360 x 915 mm		
Weight (without boom)	40 kg		
Housing design	Powder-coated aluminium		
Base frame	Powder-coated stainless steel		
Protection class	IP 54		
Compliant with	2004/108/EC, 2006/42/EC, 305/2011, CE, UL 325		
Temperature range	-30 to + 55 °C		

For more information, please see the corresponding data sheet or visit: www.ac-magnetic.com

Access applications for company premises

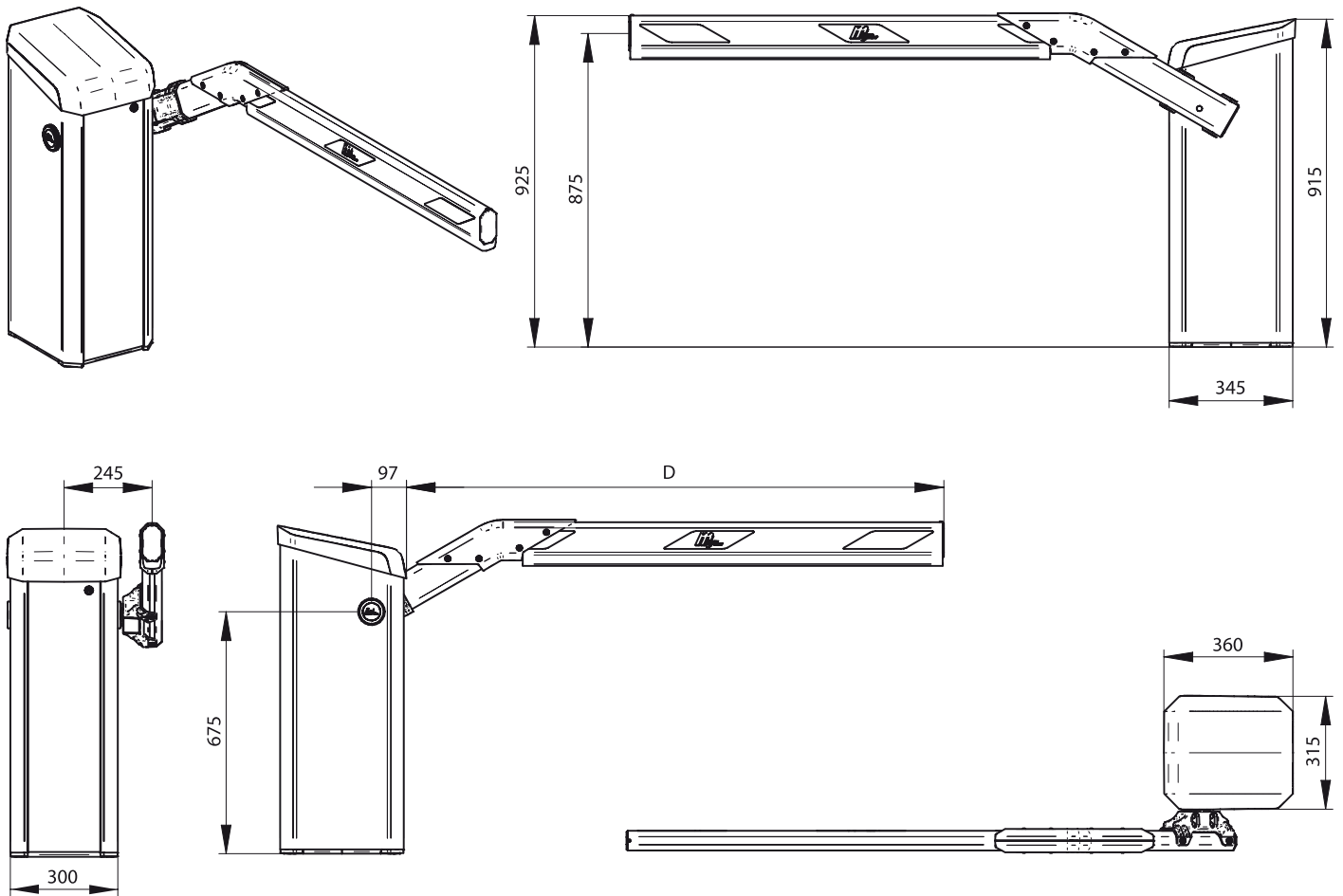
Magnetic.Access Pro-H / XL 2 / XXL



Technical Data	Magnetic.Access Pro-H	Magnetic.Access XL 2	Magnetic.Access XXL
Lane width max.	6.0 m	8.5 m	10.0 m
Opening / closing time	4.0 s	6.0 s	8.0 s
Power consumption max.	25 W	17 W	30 W
Duty cycle	100%		
Supply voltage	Wide voltage range 85 - 264 V AC (also available as 24V DC version)		
Frequency	50 - 60 Hz		
Drive system	MHTM™ MicroDrive		
Housing dimensions (WxDxH)	315 x 360 x 1115 mm	435 x 360 x 1164 mm	435 x 360 x 1164 mm
Weight (without boom)	44 kg	110 kg	112 kg
Housing design	Powder-coated aluminium		
Base frame	Powder-coated stainless steel	-	
Inner support frame	-	Surface zinc phosphat plus cathodic electrophoresis	
Protection class	IP 54		
Compliant with	2004/108/EC, 2006/42/EC, 305/2011, CE, UL 325		
Temperature range	-30 to + 55 °C		

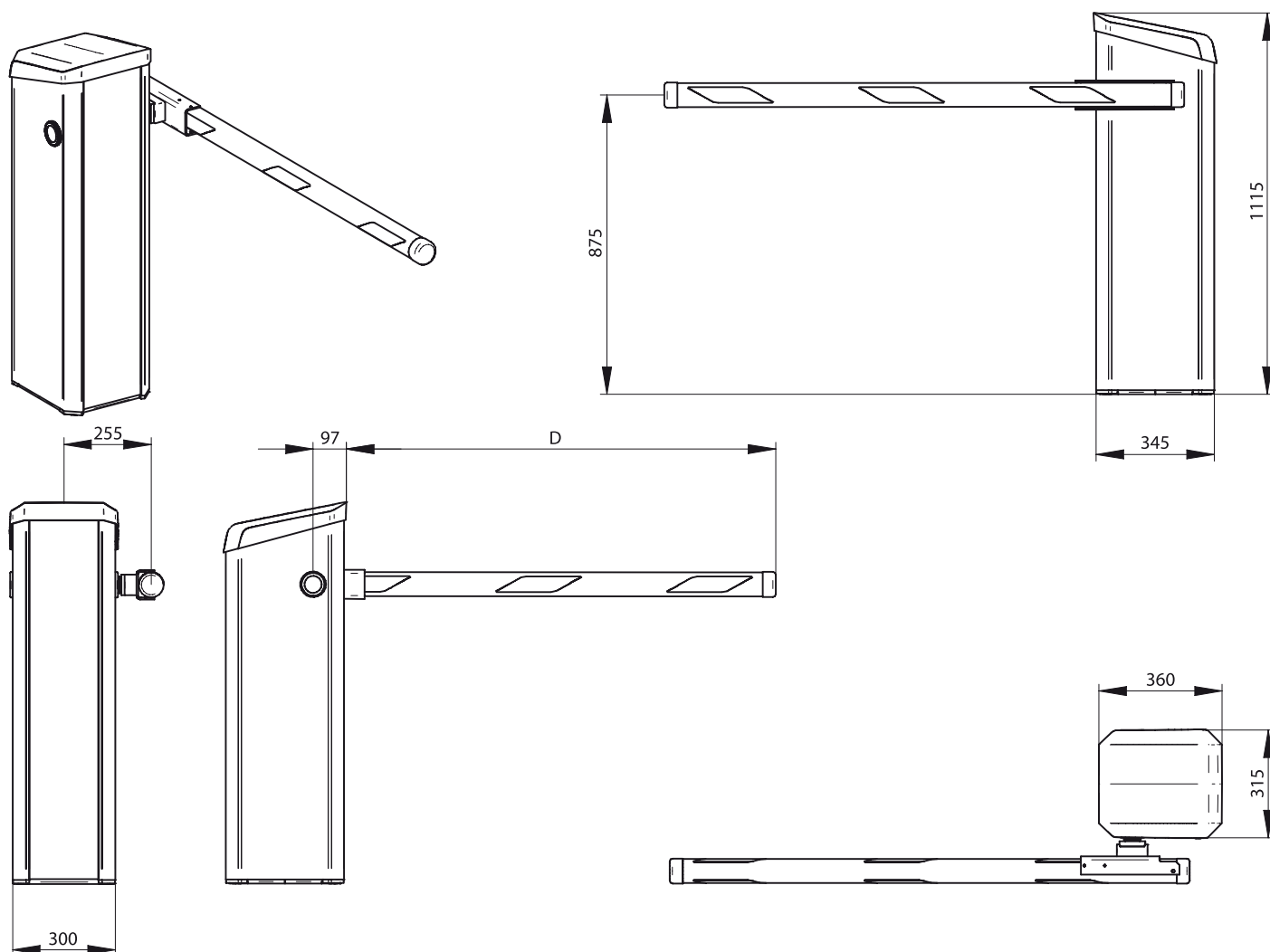
Parking applications

Magnetic.Parking



Technical Data	Magnetic.Parking	Magnetic.Parking Pro	Magnetic.Parking Select
Lane width max.	3.5 m	3.5 m	3.5 m
Opening / closing time	1.8 s	1.3 s	1.3 s
Power consumption max.	35 W	95 W	95 W
Duty cycle	100%		
Supply voltage	Wide voltage range 85 - 264 V AC (also available as 24V DC version)		
Frequency	50 - 60 Hz		
Drive system	MHTM™ MicroDrive		
Housing dimensions (WxDxH)	315 x 360 x 915 mm		
Weight (without boom)	40 kg		
Housing design	Powder-coated aluminium		
Base frame	Powder-coated stainless steel		
Protection class	IP 54		
Compliant with	2004/108/EC, 2006/42/EC, 305/2011, CE, UL 325		
Temperature range	-30 to + 55 °C		

For more information, please see the corresponding data sheet or visit: www.ac-magnetic.com



Technical Data	Magnetic.Toll	Magnetic.Toll Pro	Magnetic.Toll HighSpeed
Lane width max.	3.0 m	3.0 m	3.0 m
Opening / closing time	1.3 s	0.9 s	0.6 s
Power consumption max.	55 W	95 W	320 W
Duty cycle	100%		
Supply voltage	Wide voltage range 85 - 264 V AC (also available as 24V DC version)		
Frequency	50 - 60 Hz		
Drive system	MHTM™ MicroDrive		
Housing dimensions (WxDxH)	315 x 360 x 1115 mm		
Weight (without boom)	42 kg		
Housing design	Powder-coated aluminium		
Base frame	Powder-coated stainless steel		
Protection class	IP 54		
Compliant with	2004/108/EC, 2006/42/EC, 305/2011, CE, UL 325		2004/108/EC, 2006/42/EC, CE
Temperature range	-30 to + 55 °C		

For more information, please see the corresponding data sheet or visit: www.ac-magnetic.com

Standard colour definitions

Doors / Front and Back



Colour description	Anthracite (similar to RAL 7021)
Finishing	Powder-coating
Standard colour for	All front and back doors of MHTM™ MicroDrive barriers and Terminal control columns
Note	The colour of the extractible front panel of the control columns is generally anthracite (similar to RAL 7021).

Standard colour definitions

Barriers / Control columns



Colour description	ORANGE (RAL 2000)
Finishing	Powder-coating
Standard colour for	All MHTM™ MicroDrive barriers and Terminal control columns
Standard colour doors (front and back)	See page 19



Colour description	White aluminium (similar to RAL 9006)
Finishing	Powder-coating
Standard colour for	All MHTM™ Microdrive Pro and Select models and Terminal control columns
Standard colour doors (front and back)	See page 19



Colour description	Grey aluminium (similar to RAL 9007)
Finishing	Powder-coating
Standard colour for	All MHTM™ Microdrive Pro and Select models and Terminal control columns
Standard colour doors (front and back)	See page 19

Standard colour definitions

Examples (image similar)





Magnetic.Access barrier in combination with a control column Terminal controlling access to Mueritz National Park.



Magnetic.Access-H barriers on concrete columns for access control of trucks in New York City (USA).

Application Examples



Magnetic.Parking barriers as vehicle gate solution at Fort-de-France airport (Martinique).



MHTM™MicroDrive with LED illumination strips (LEDS11).

Ethernet module

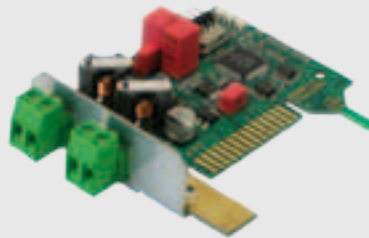
MGC Control Module



A AP AS AL APL ASL APH XL2
XXL P PP PS T TP THS

2-channel loop detector

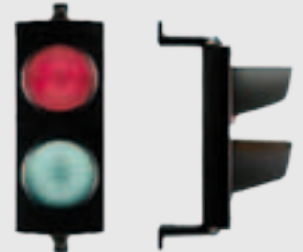
MGC Control Module



A AP AS AL APL ASL APH XL2
XXL P PP PS T TP THS

Traffic signal head

MHTM™ MicroDrive accessories



A AP AS AL APL ASL APH XL2
XXL P PP PS T TP THS

RS-485 module

MGC Control Module



A AP AS AL APL ASL APH XL2
XXL P PP PS T TP THS

Transmitter

MHTM™ MicroDrive accessories



A AP AS AL APL ASL APH XL2
XXL P PP PS T TP THS

Service module

MHTM™ MicroDrive accessories



A AP AS AL APL ASL APH XL2
XXL P PP PS T TP THS

Radio module FM 433 MHz

MGC Control Module



A AP AS AL APL ASL APH XL2
XXL P PP PS T TP THS

Desk panels

MHTM™ MicroDrive accessories



A AP AS AL APL ASL APH XL2
XXL P PP PS T TP THS

GSM module

MHTM™ MicroDrive accessories



A AP AS AL APL ASL APH XL2
XXL P PP PS T TP THS

Boom locking

Accessories for the barrier boom



- A
- AP
- AS
- AL
- APL
- ASL
- APH
- XL2
- XXL
- P
- PP
- PS
- T
- TP
- THS

Battery Backup

MHTM™ MicroDrive accessories



- A
- AP
- AS
- AL
- APL
- ASL
- APH
- XL2
- XXL
- P
- PP
- PS
- T
- TP
- THS

Swing-Away flange

Accessories for the barrier boom



- A
- AP
- AS
- AL
- APL
- ASL
- APH
- XL2
- XXL
- P
- PP
- PS
- T
- TP
- THS

LED illumination strips

Accessories for the barrier boom



- A
- AP
- AS
- AL
- APL
- ASL
- APH
- XL2
- XXL
- P
- PP
- PS
- T
- TP
- THS

Extension Set VarioBoom

Accessories for the barrier boom



- A
- AP
- AS
- AL
- APL
- ASL
- APH
- XL2
- XXL
- P
- PP
- PS
- T
- TP
- THS

Auto-Swing-Away flange

Accessories for the barrier boom



- A
- AP
- AS
- AL
- APL
- ASL
- APH
- XL2
- XXL
- P
- PP
- PS
- T
- TP
- THS

Boom lighting

Accessories for the barrier boom



- A
- AP
- AS
- AL
- APL
- ASL
- APH
- XL2
- XXL
- P
- PP
- PS
- T
- TP
- THS

Break-away flange

Accessories for the barrier boom



- A
- AP
- AS
- AL
- APL
- ASL
- APH
- XL2
- XXL
- P
- PP
- PS
- T
- TP
- THS

Boom contact

Accessories for the barrier boom



- A
- AP
- AS
- AL
- APL
- ASL
- APH
- XL2
- XXL
- P
- PP
- PS
- T
- TP
- THS

For more information, please see the corresponding data sheet or visit: www.ac-magnetic.com

Lights

MHTM™ MicroDrive accessories



A AP AS AL APL ASL APH XL2
XXL P PP PS T TP THS

Articulated boom

Accessories for the barrier boom



A AP AS AL APL ASL APH XL2
XXL P PP PS T TP THS

Boom skirt

Accessories for the barrier boom



A AP AS AL APL ASL APH XL2
XXL P PP PS T TP THS

Light barrier

MHTM™ MicroDrive accessories



A AP AS AL APL ASL APH XL2
XXL P PP PS T TP THS

Pendulum support

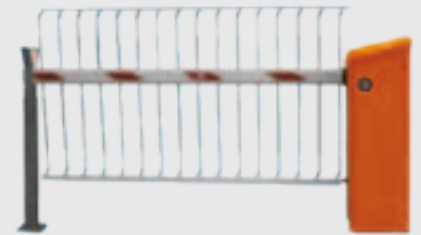
Accessories for the barrier boom



A AP AS AL APL ASL APH XL2
XXL P PP PS T TP THS

Boom skirt with anti-climb protection

Accessories for the barrier boom



A AP AS AL APL ASL APH XL2
XXL P PP PS T TP THS

Switches

MHTM™ MicroDrive accessories



A AP AS AL APL ASL APH XL2
XXL P PP PS T TP THS

Support post

Accessories for the barrier boom



A AP AS AL APL ASL APH XL2
XXL P PP PS T TP THS

MicroDrive Manager

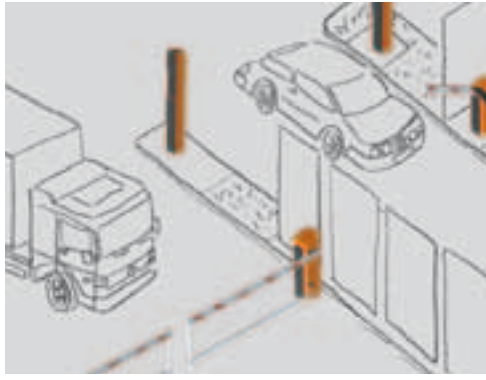
MHTM™ MicroDrive accessories



A AP AS AL APL ASL APH XL2
XXL P PP PS T TP THS

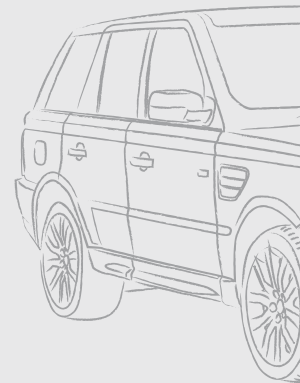
For more information, please see the corresponding data sheet or visit: www.ac-magnetic.com

Accessories



	Access	Access Pro	Access Select	Access-L	Access Pro-L	Access Select-L	Access Pro-H	Access XL 2	Access XXL	Parking	Parking Pro	Parking Select	Toll	Toll Pro	Toll HighSpeed
Lane width up to 3.5 m (Toll 3.0 m)	■	■	■	■	■	■	■	■	■	■	■	■	■	■	■
Lane width up to 5.0 m	■	■	■	■	■	■	■	■	■	■	■	■	■	■	■
Lane width up to 6.0 m	■	■	■	■	■	■	■	■	■	■	■	■	■	■	■
Lane width up to 8.5 m	■	■	■	■	■	■	■	■	■	■	■	■	■	■	■
Lane width up to 10.0 m	■	■	■	■	■	■	■	■	■	■	■	■	■	■	■
Usage with boom skirt	■	■	■	■	■	■	■	■	■	■	■	■	■	■	■
Variable I/O assignment	■	■	■	■	■	■	■	■	■	■	■	■	*	*	*
Fast opening speeds (<2.2 sec)	■	■	■	■	■	■	■	■	■	■	■	■	■	■	■
Variable opening times	■	■	■	■	■	■	■	■	■	■	■	■	*	*	*
Variable closing times	■	■	■	■	■	■	■	■	■	■	■	■	■	■	■
Network connection*	■	■	■	■	■	■	■	■	■	■	■	■	■	■	■
Integration of interfaces in the future	■	■	■	■	■	■	■	■	■	■	■	■	■	■	■
Low ceiling height (articulated boom)	■	■	■	■	■	■	■	■	■	■	■	■	■	■	■
Parallel operation	■	■	■	■	■	■	■	■	■	■	■	■	■	■	■
Advertising space in barrier boom*	■	■	■	■	■	■	■	■	■	■	■	■	■	■	■
Usage with pedestrian traffic	■	■	■	■	■	■	■	■	■	■	■	■	■	■	■
One standard colour	■	■	■	■	■	■	■	■	■	■	■	■	■	■	■
Three standard colours	■	■	■	■	■	■	■	■	■	■	■	■	■	■	■
Special colours optionally available	■	■	**	■	■	**	■	■	■	■	■	**	■	■	■

* optional
** standard



Magnetic Autocontrol GmbH

Grienmatt 20
79650 Schopfheim
Germany

+49 7622 695-5
marketing@ac-magnetic.com
www.ac-magnetic.com



German
Design Award
SPECIAL
MENTION 2014



reddot design award
winner 2012

A business unit of the



Secure Lane LLC
www.secure-lane.com
www.barriergatearm.com
(520)780-9751

Access applications

A	<i>Magnetic.Access</i>	Page 4
AP	<i>Magnetic.Access Pro</i>	Page 4
AS	<i>Magnetic.Access Select</i>	Page 5
AL	<i>Magnetic.Access-L</i>	Page 6
APL	<i>Magnetic.Access Pro-L</i>	Page 6
ASL	<i>Magnetic.Access Select-L</i>	Page 7



Access applications for company premises

APH	<i>Magnetic.Access Pro-H</i>	Page 8
XL2	<i>Magnetic.Access XL 2</i>	Page 8
XXL	<i>Magnetic.Access XXL</i>	Page 9



Parking applications

P	<i>Magnetic.Parking</i>	Page 10
PP	<i>Magnetic.Parking Pro</i>	Page 10
PS	<i>Magnetic.Parking Select</i>	Page 11



Toll applications

T	<i>Magnetic.Toll</i>	Page 12
TP	<i>Magnetic.Toll Pro</i>	Page 12
THS	<i>Magnetic.Toll HighSpeed</i>	Page 13



Data sheet

Power, Dimensions ... Page 14 – 18



Standard colour

Barriers / Control columns Page 19 – 21



Application examples

Page 22 – 23

Accessories

Page 24 – 27



MHTM™ MicroDrive

